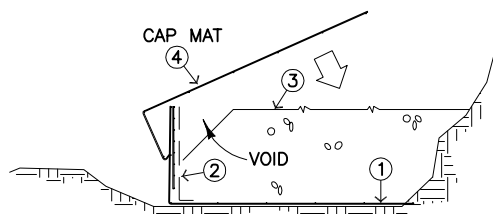
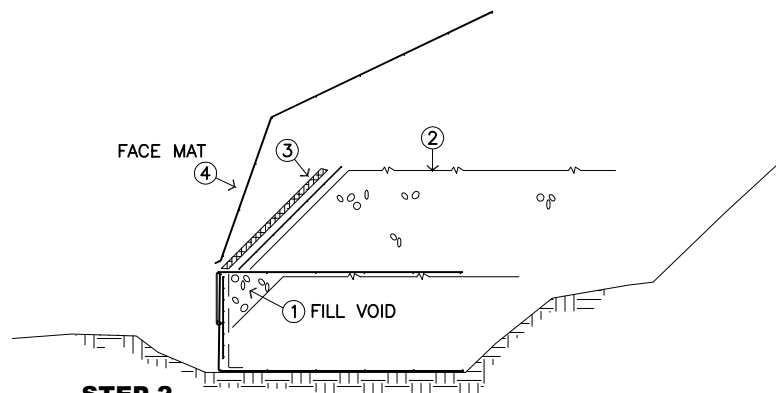


HOG RING THE TOP WIRE ON THE FOUNDATION BACKING MAT TO THE TOP WIRE ON THE FOUNDATION MAT.



STEP 1

1. PREPARE THE FOUNDATION AND PLACE THE FOUNDATION MATS.
2. INSTALL THE FOUNDATION BACKING MAT AND FILTER FABRIC.
3. PLACE AND COMPACT BACKFILL TO 24" DEPTH AS SHOWN.
4. HOOK CAP MAT ON TRANSVERSE WIRE OF FOUNDATION MAT AND LAY IT DOWN ONTO THE BACKFILL.

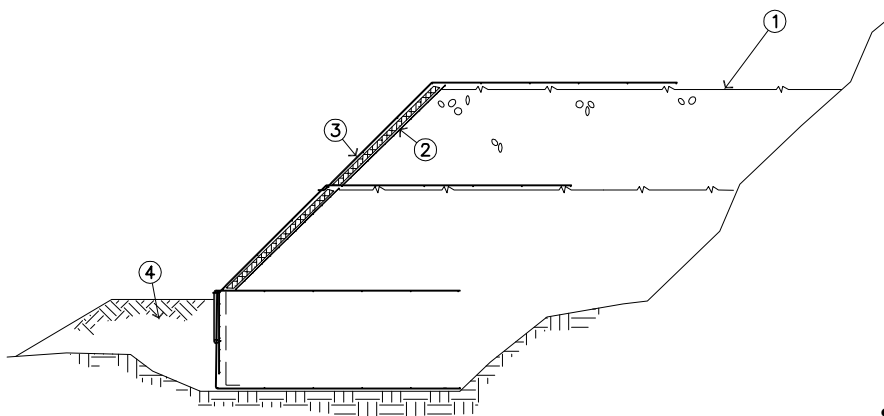


STEP 2

1. FILL THE VOID BELOW THE FRONT OF THE CAP AND ROD TO FULLY COMPACT.
2. PLACE BACKFILL AND COMPACT TO 25.75" DEPTH.
3. PLACE BACKING MAT AND EROSION MAT OR SOD.
4. HOOK FACE MAT ON TRANSVERSE WIRES OF THE FOUNDATION MAT AND LAY IT DOWN ONTO THE BACKFILL.

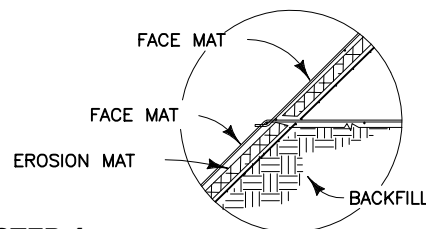
CONSTRUCTION SEQUENCE

NOT TO SCALE



STEP 3

1. PLACE AND COMPACT SECOND 25.75" LIFT OF BACKFILL.
2. PLACE BACKING MAT AND EROSION MAT OR SOD.
3. INSTALL THE FACE MAT SO IT ENGAGES THE LOWER FACE MAT. SEE DETAIL.
4. BACKFILL AND COMPACT SOIL AT TOE OF WALL.



STEP 4

1. CONTINUE LIFTS TO THE TOP OF THE WALL.
2. AFTER PLACING THE TOP LIFT OF BACKFILL AND FACE MAT, BACKING MAT AND EROSION MAT, BACKFILL AND COMPACT THE REQUIRED COVER OVER THE TOP MATS.